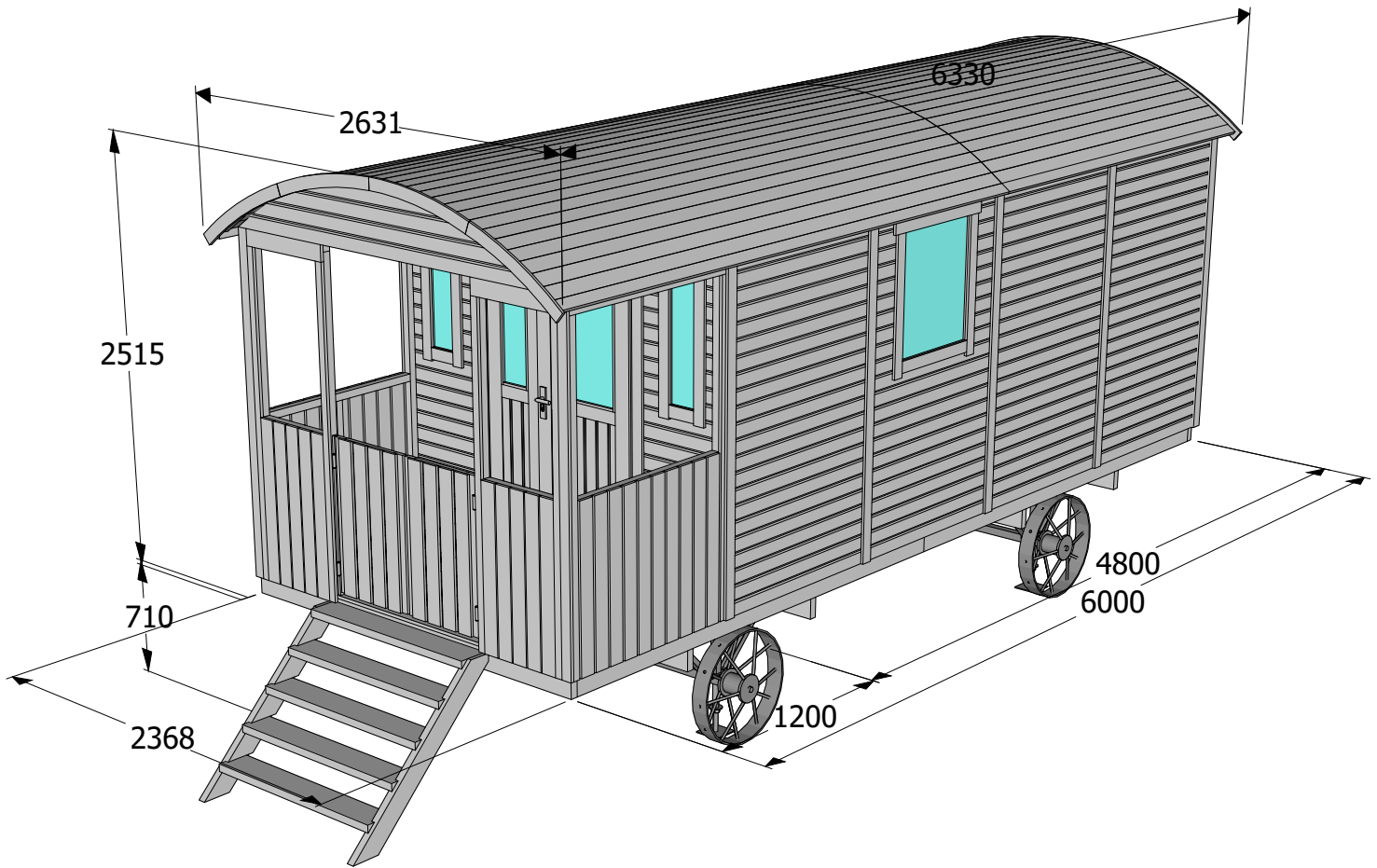
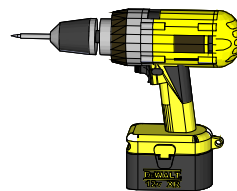
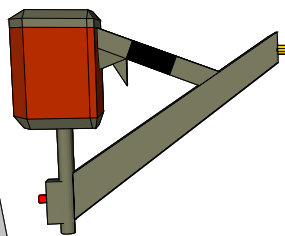
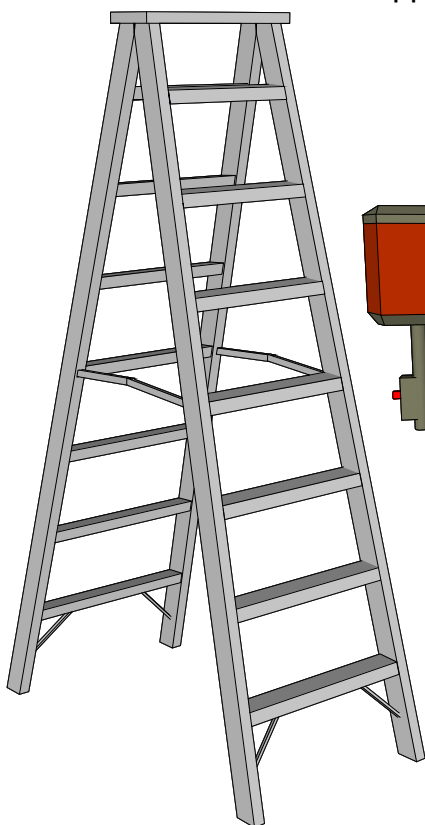
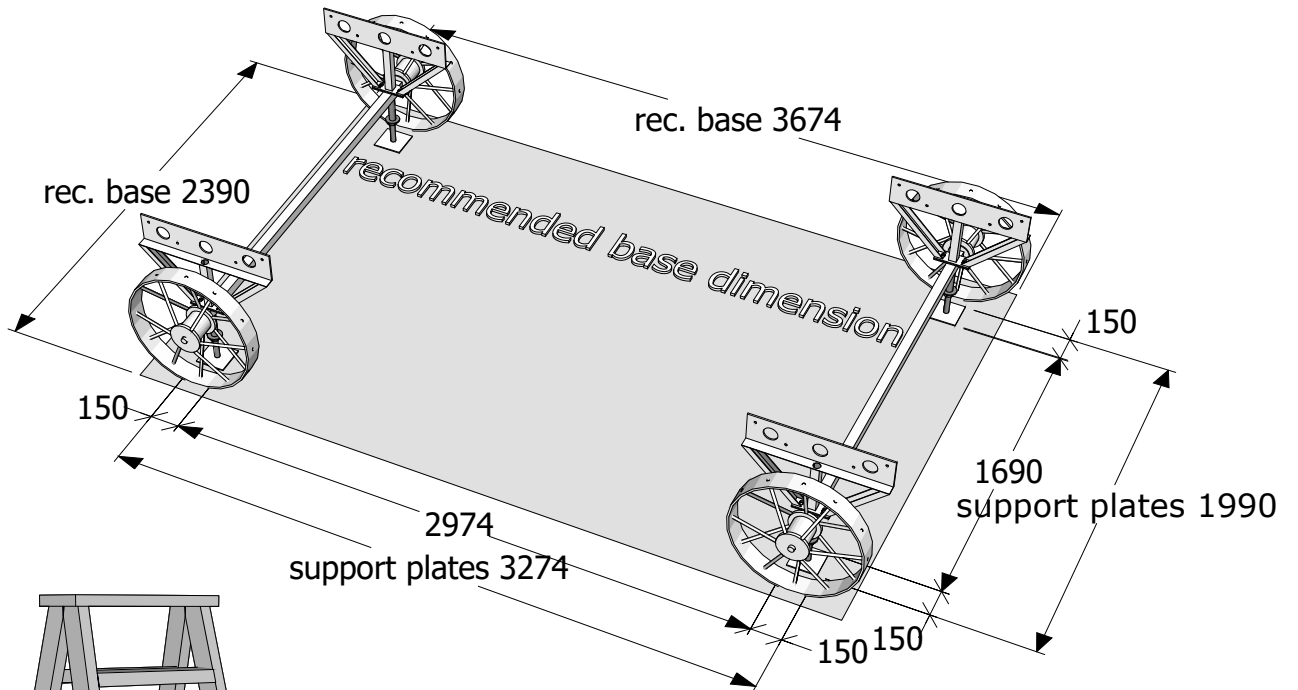
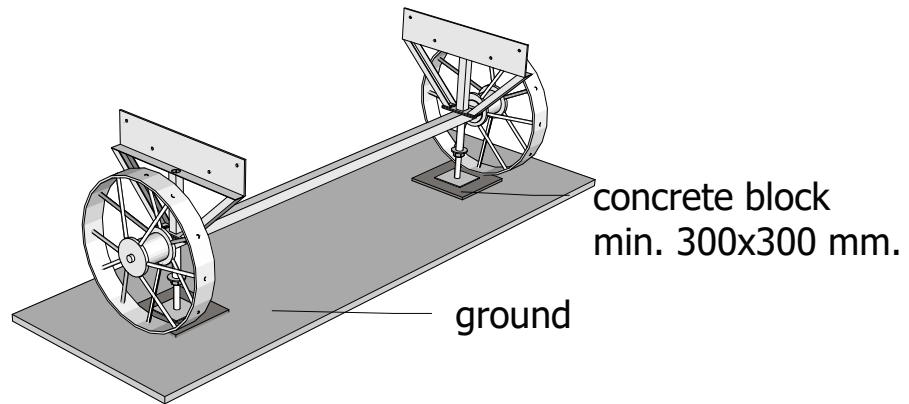


*Assembly instruction wagon Johnny 480+120*

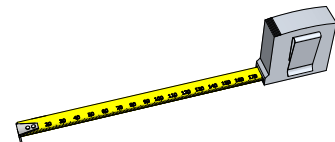
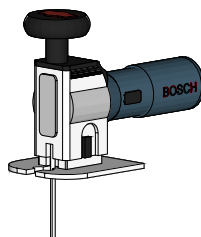
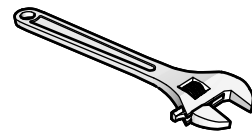


# Assembly instruction wagon Johnny 480+120

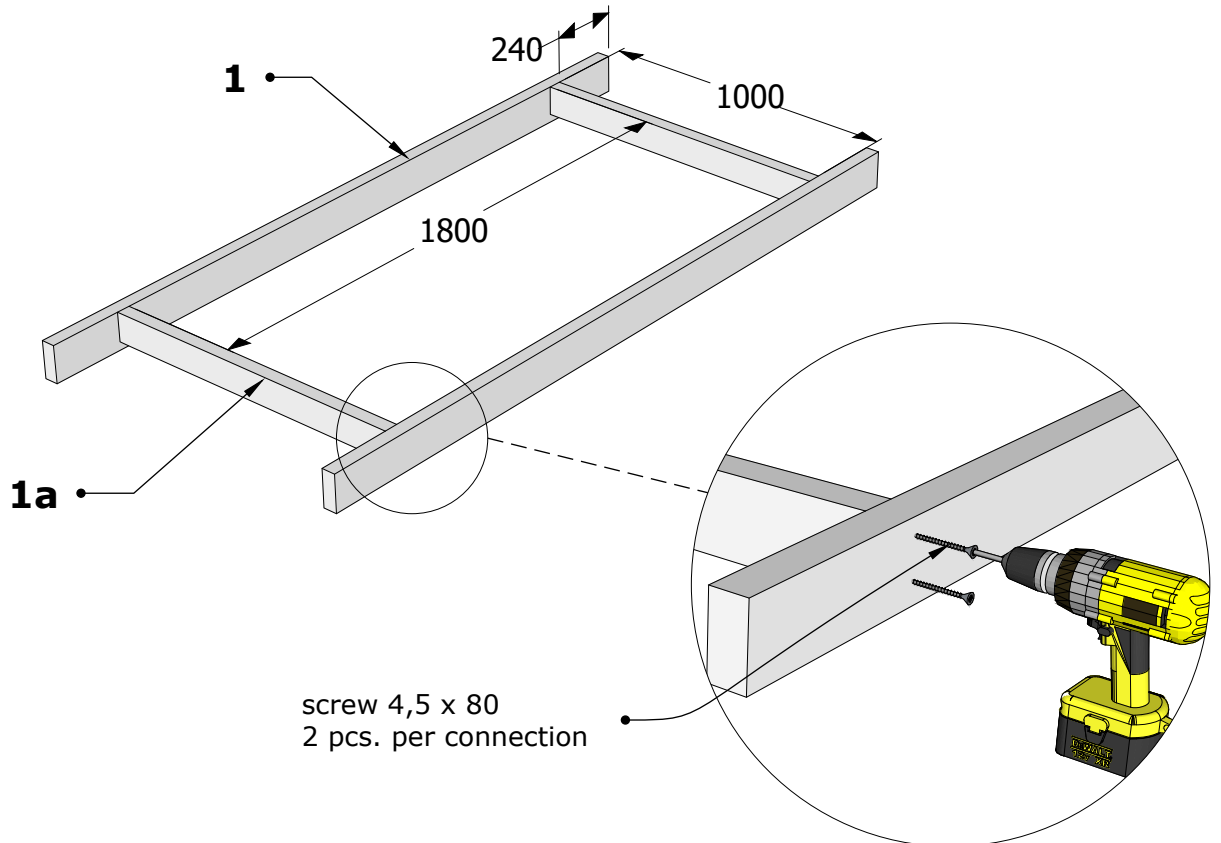
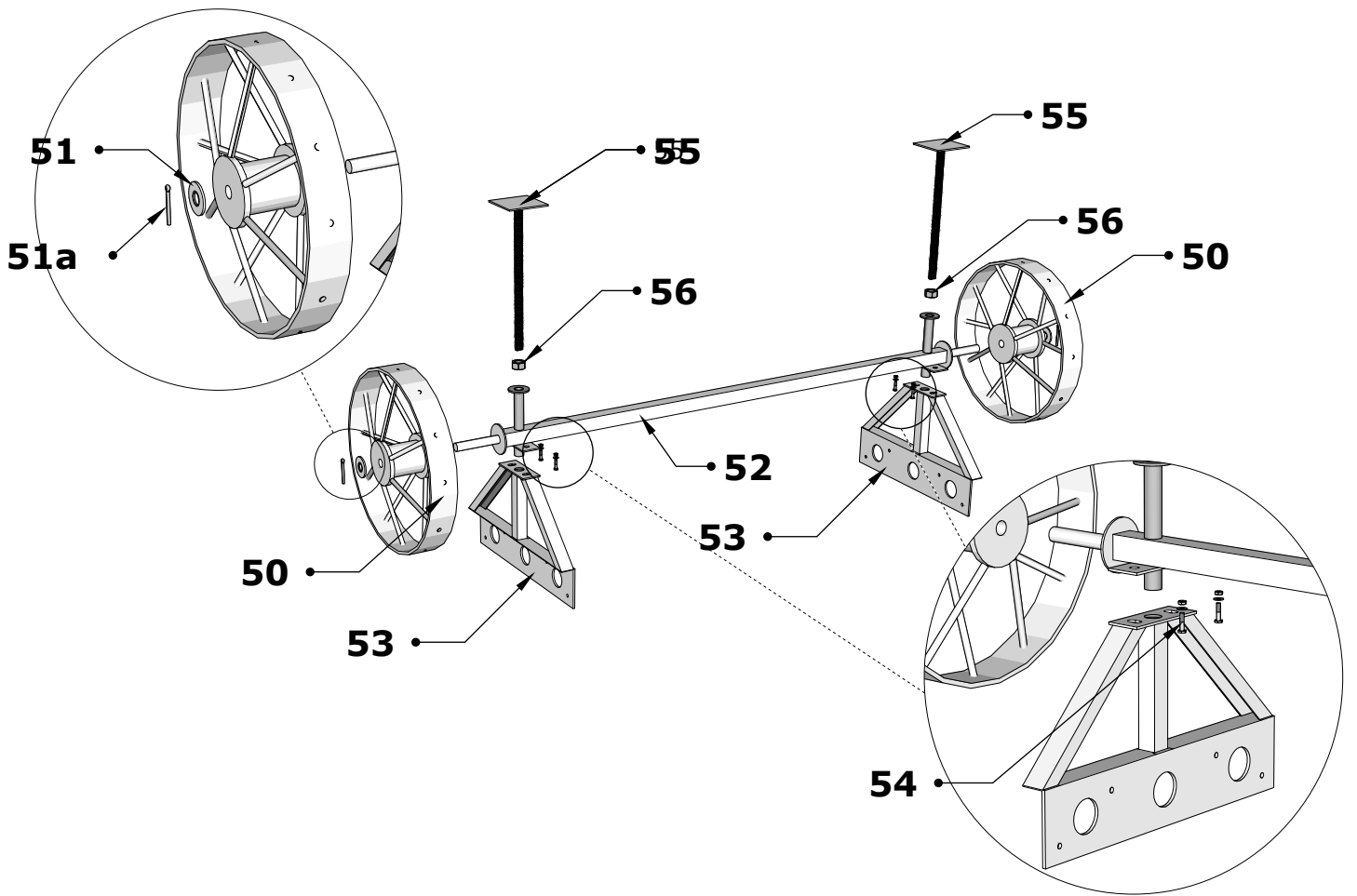
**This wagon must be based on adjustable legs and is not movable.**

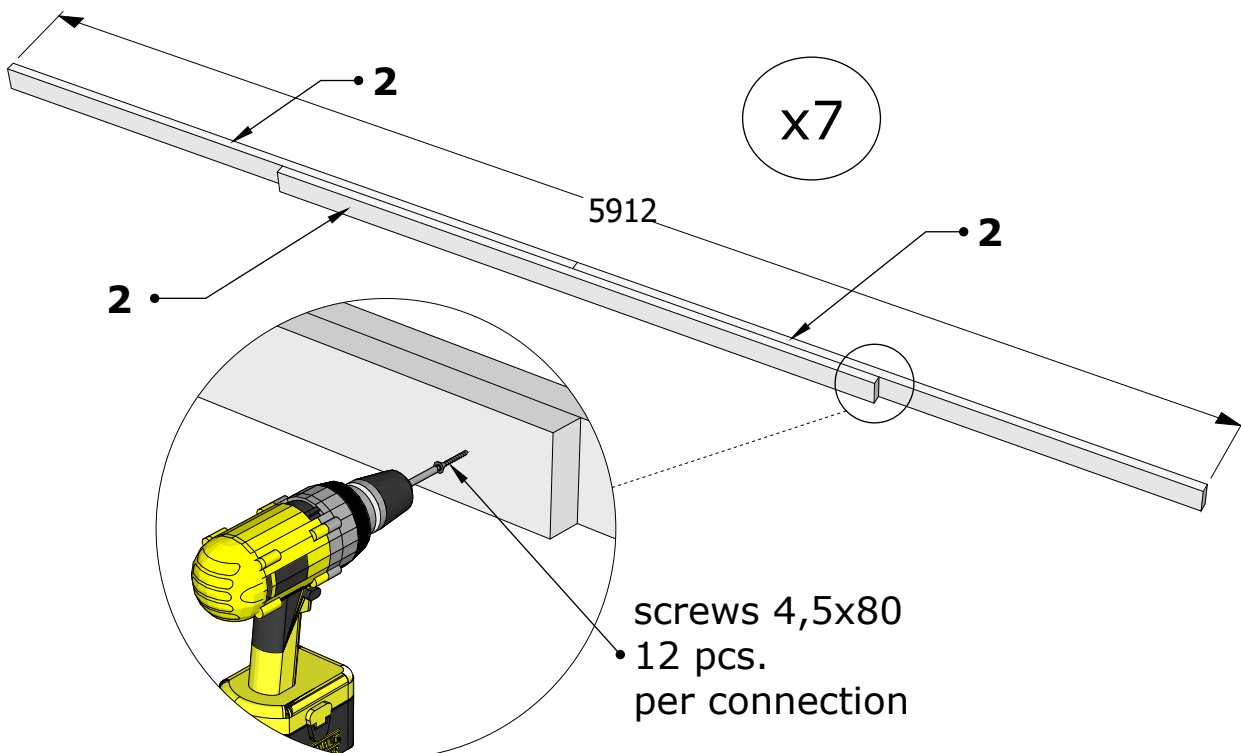
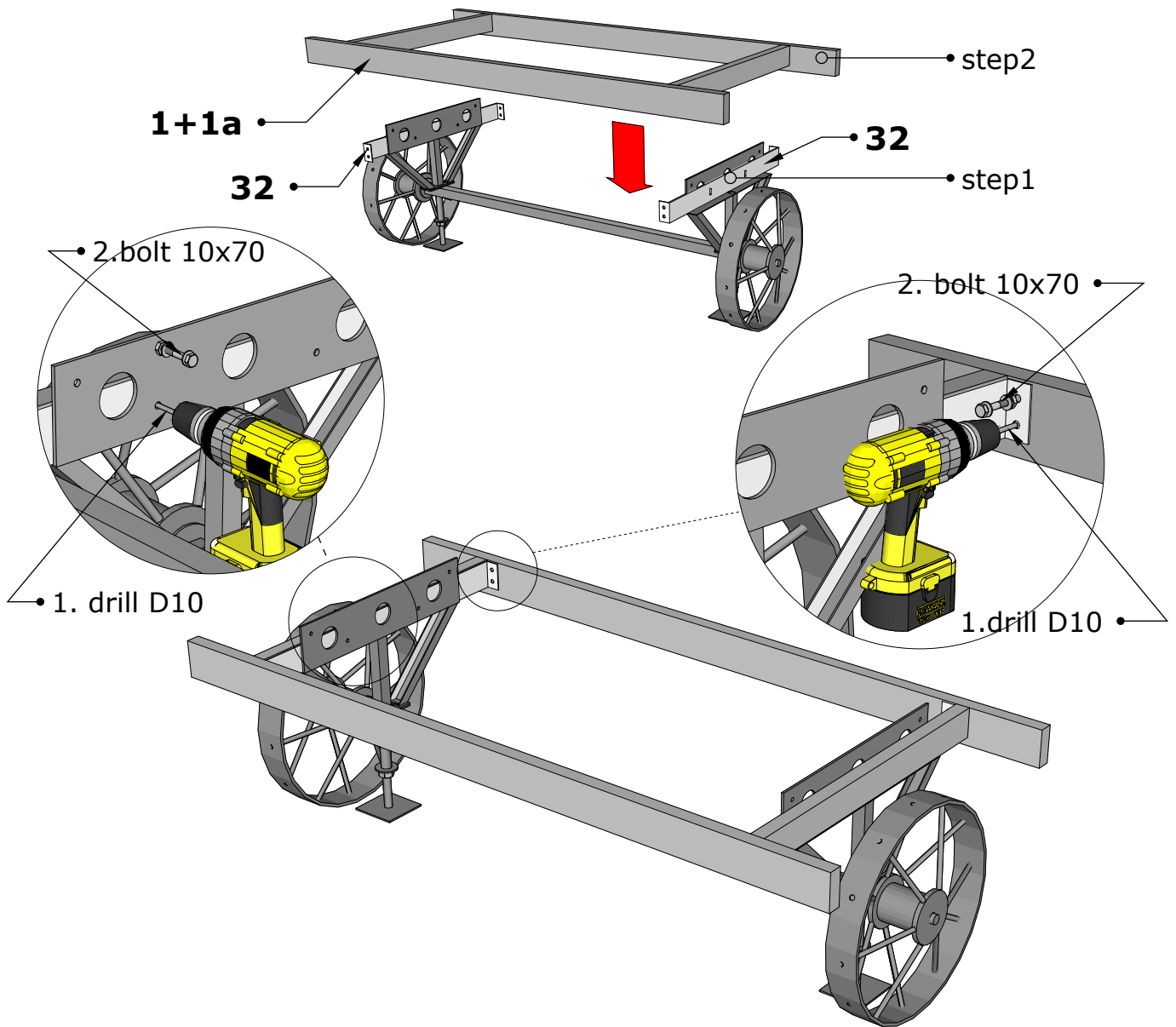


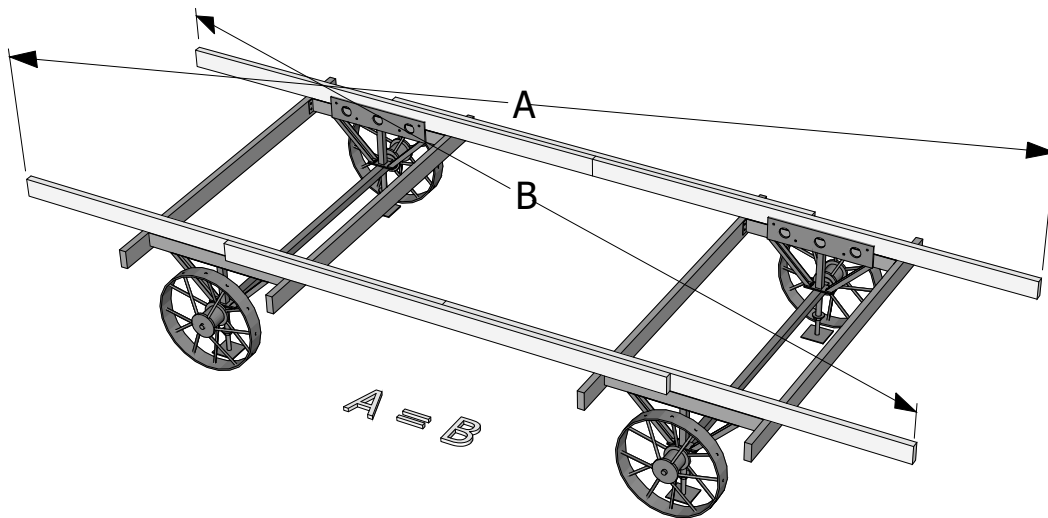
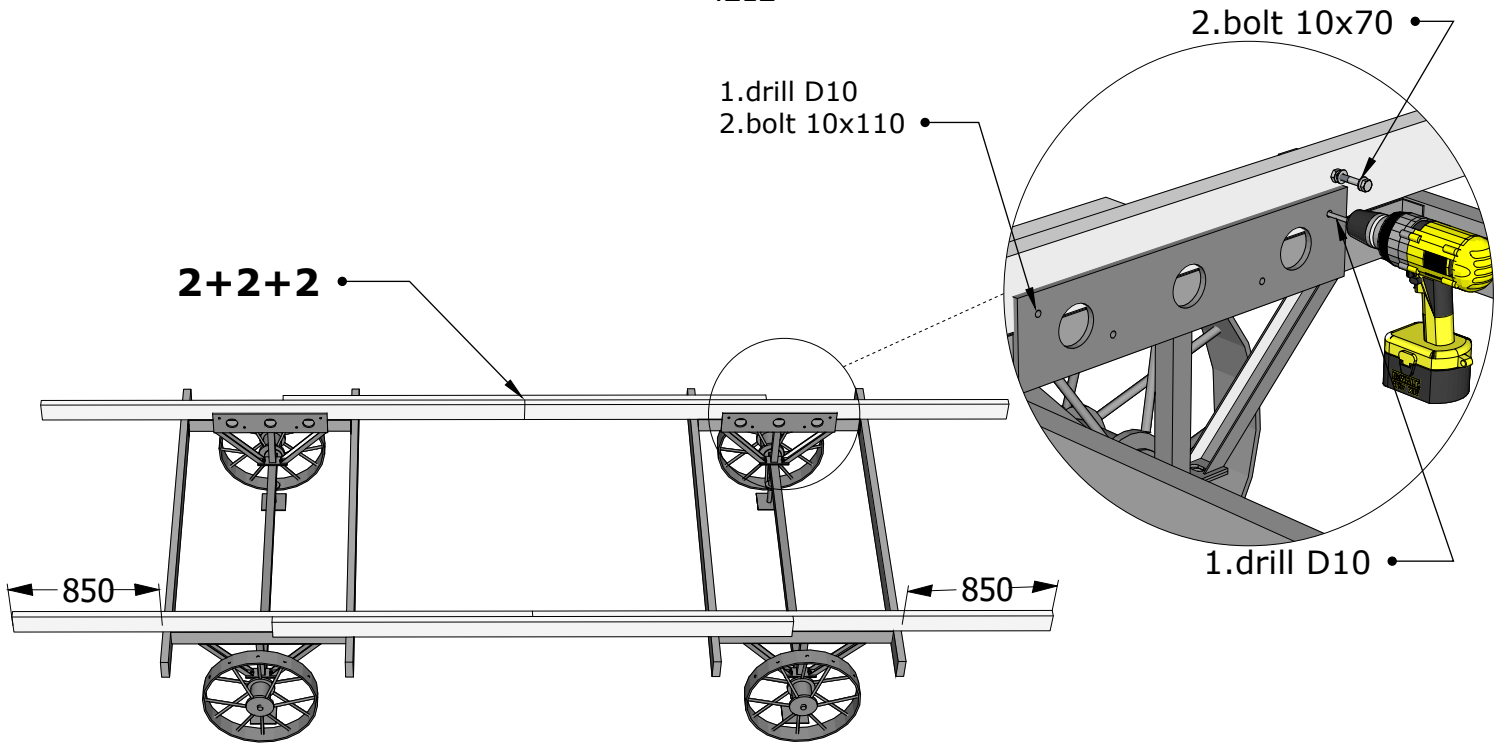
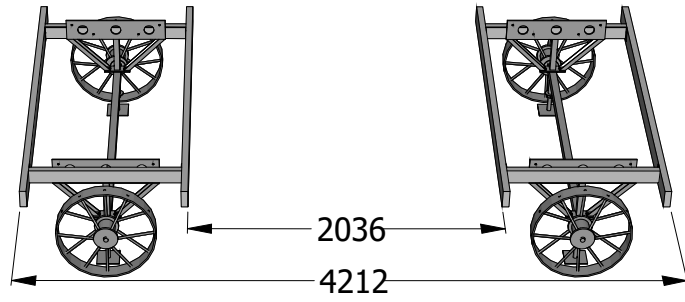
D 10 mm.



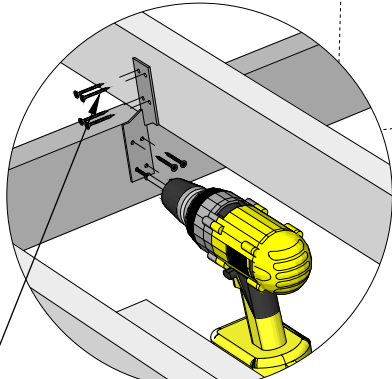
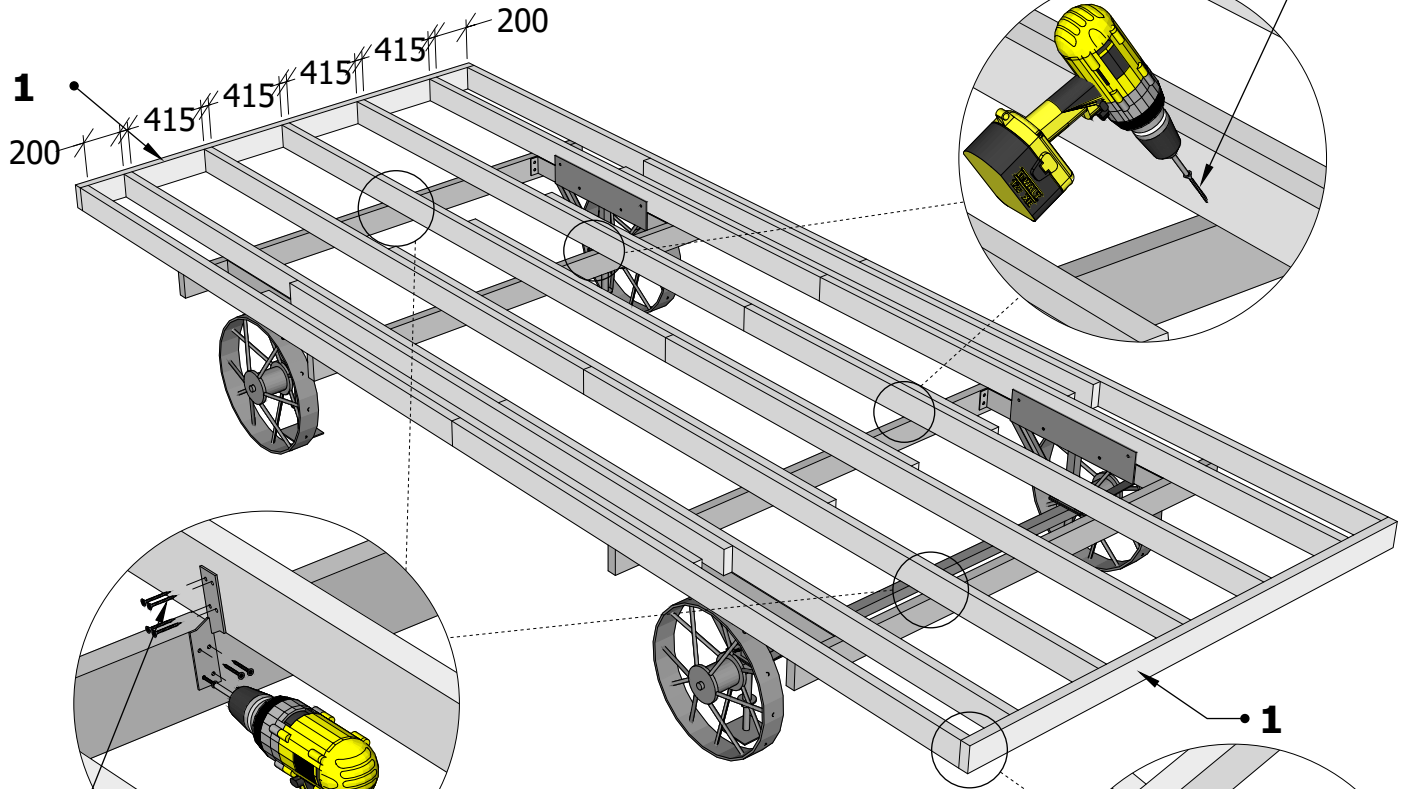
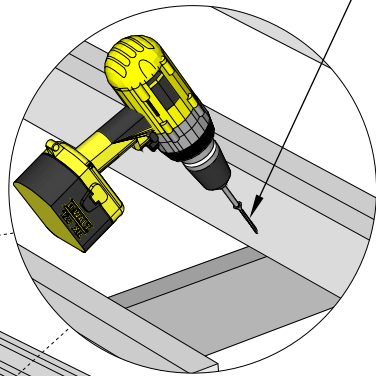
Metallic wheels assembly





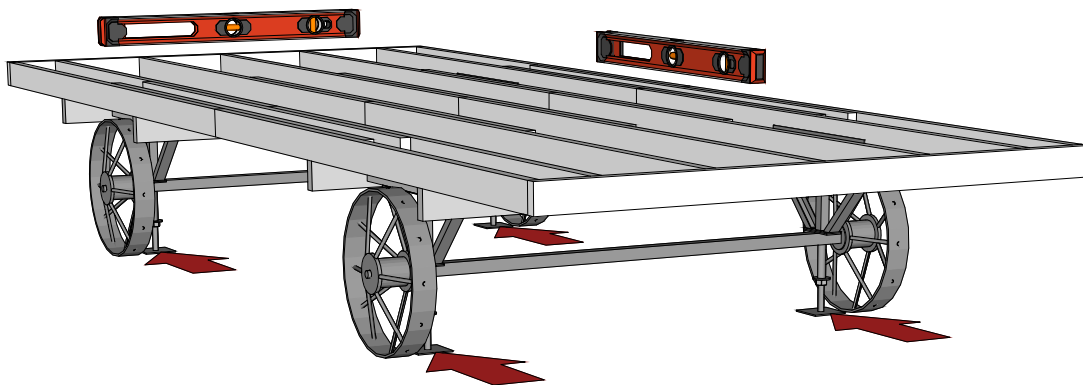
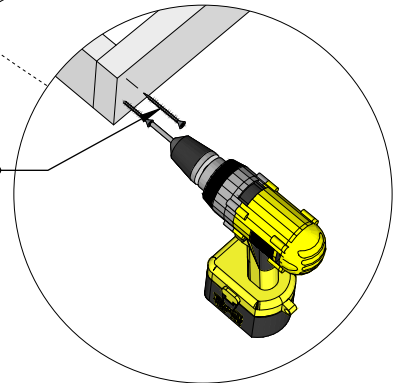


screws 4,5x80  
1 pcs.  
per connection

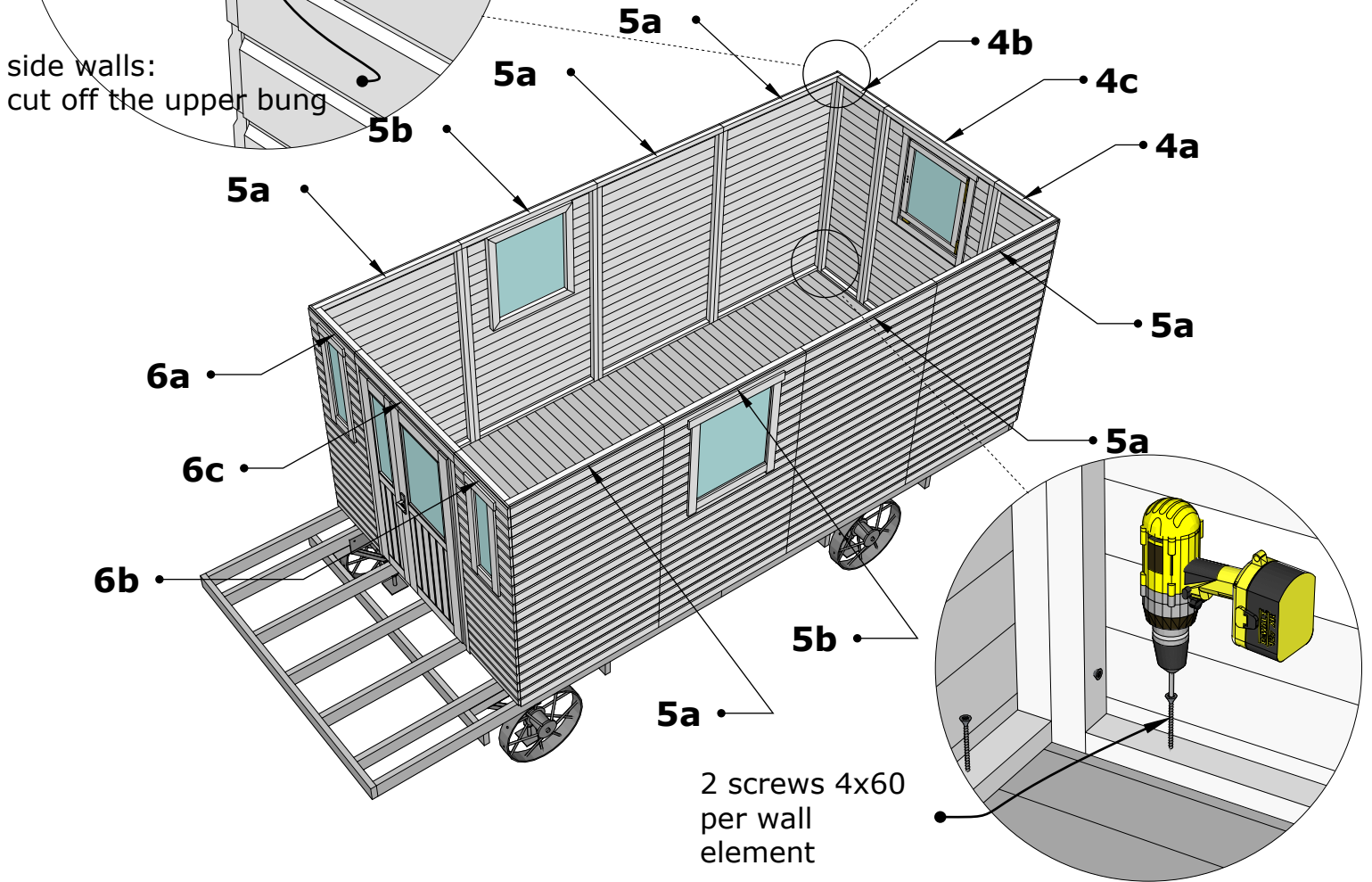
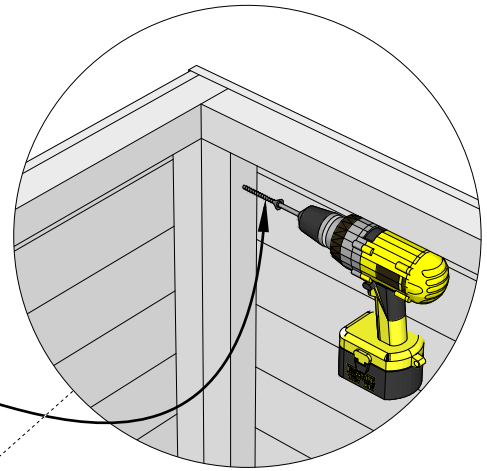
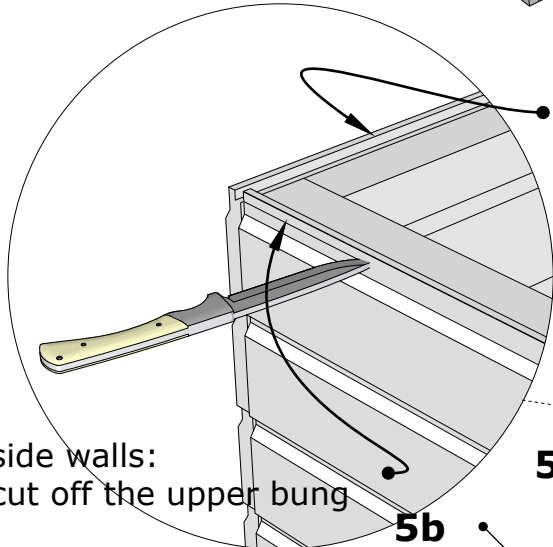
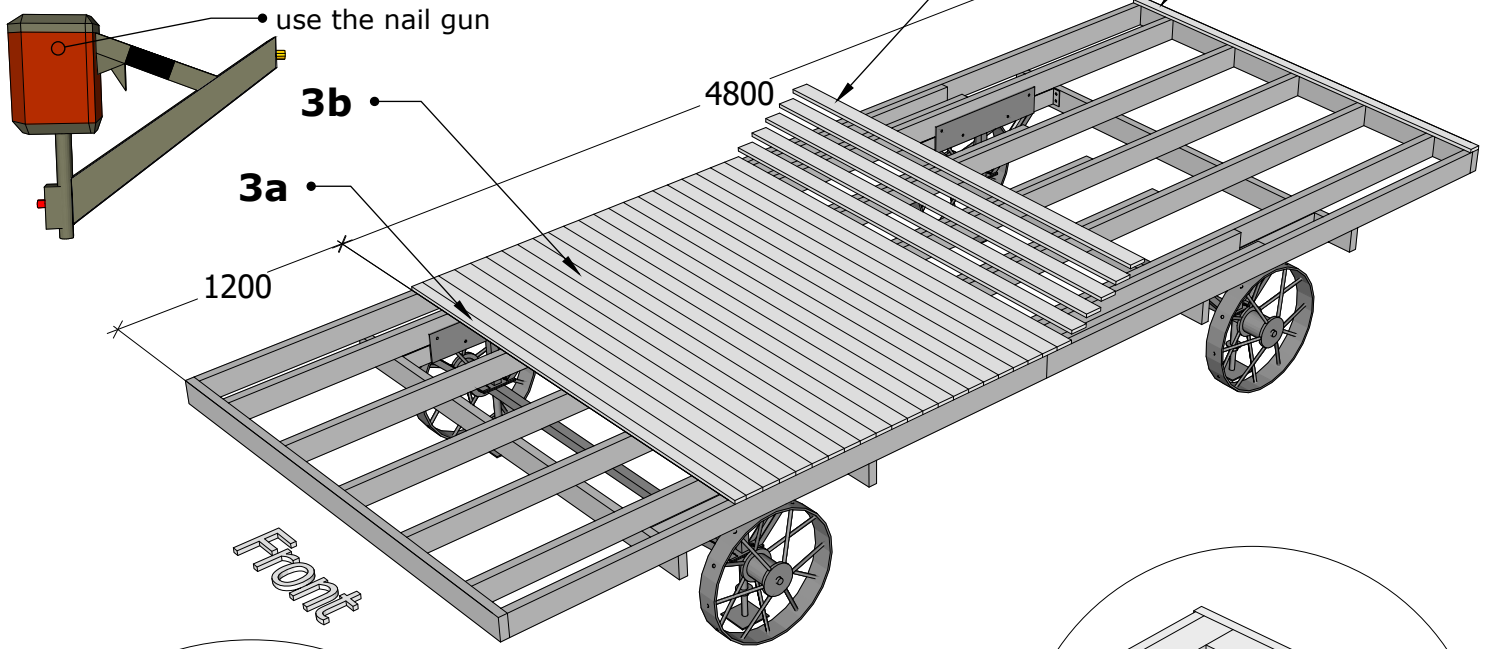


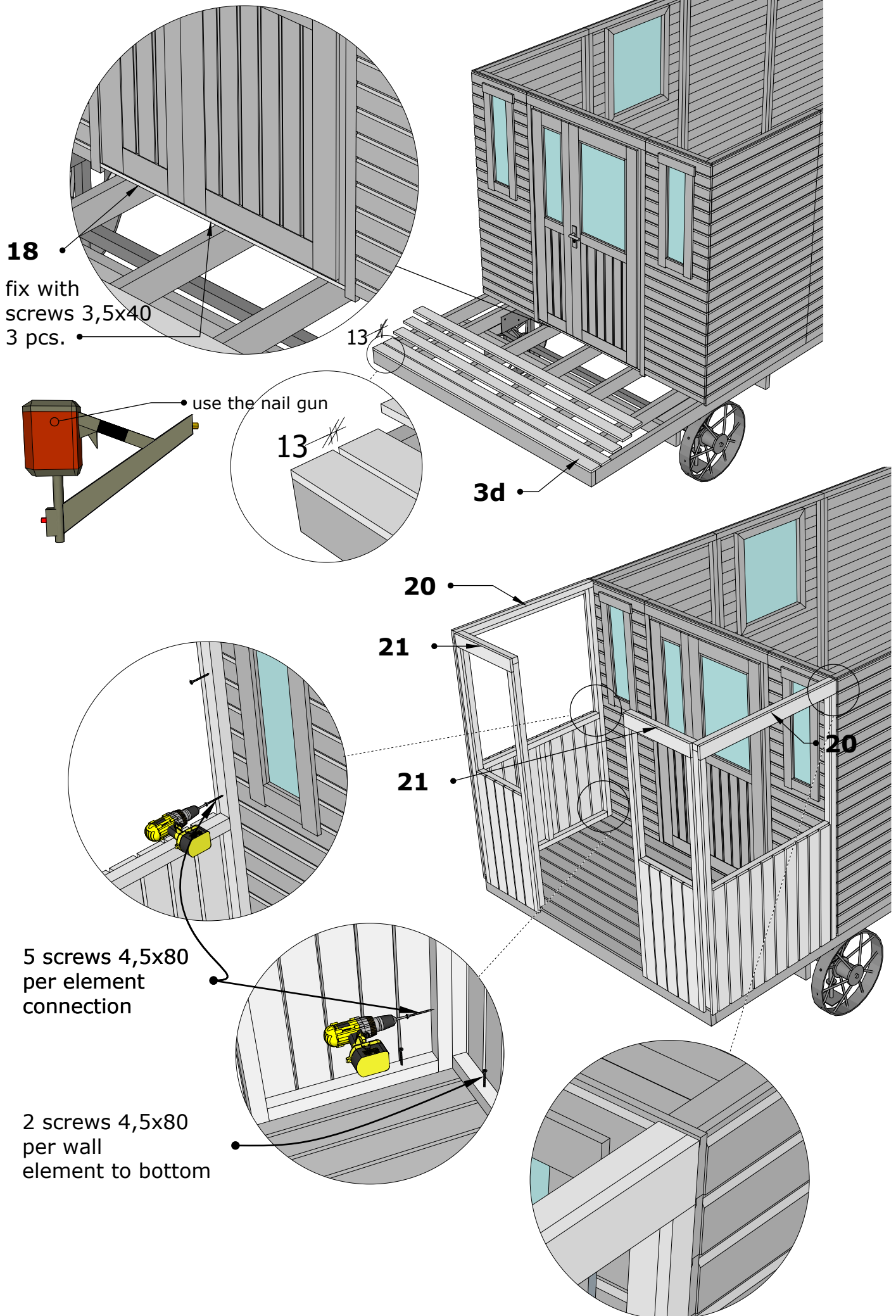
screws 3,5x40  
8 pcs.  
per connection

screws 4,5x80  
2 pcs.  
per connection

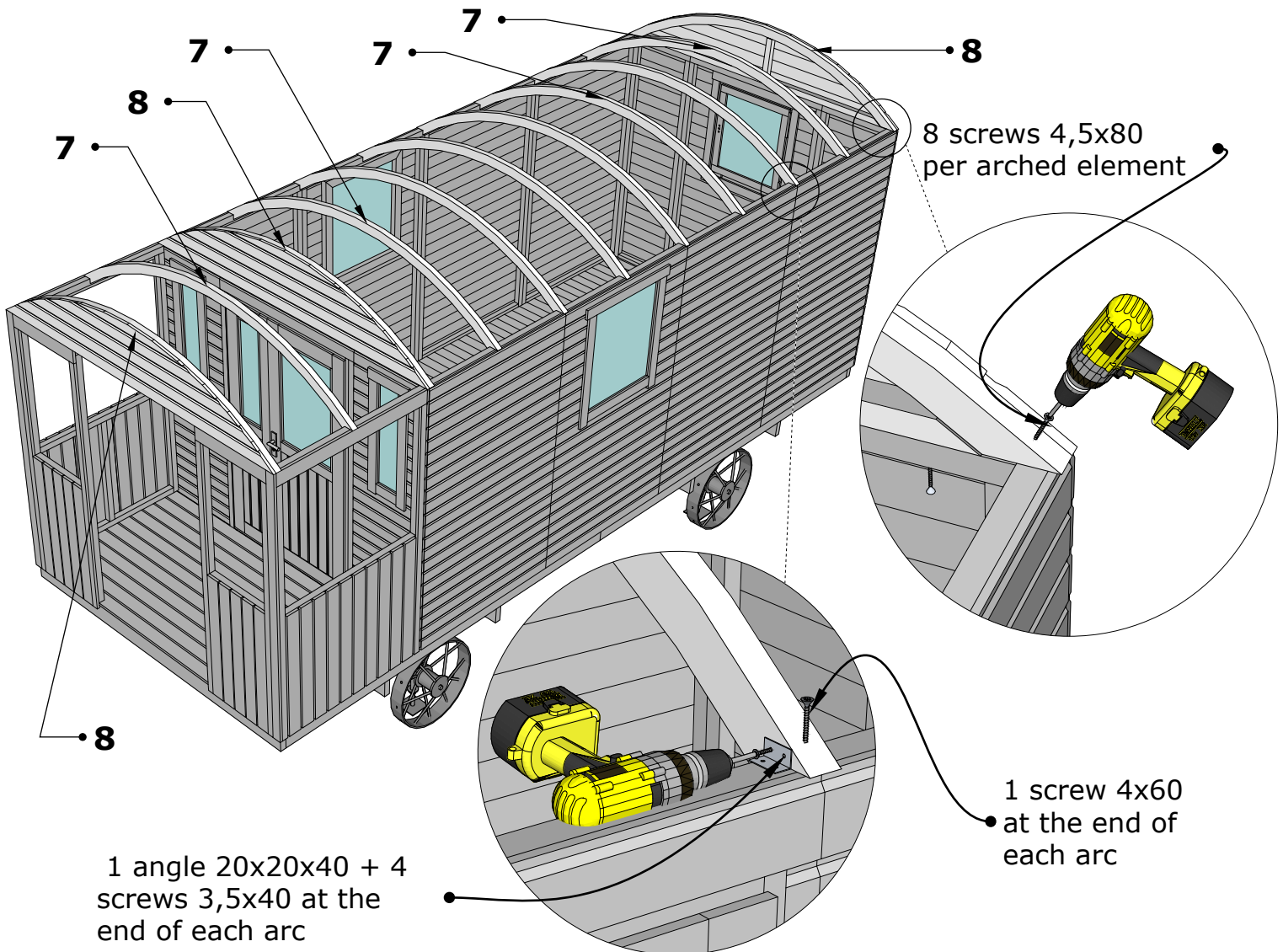
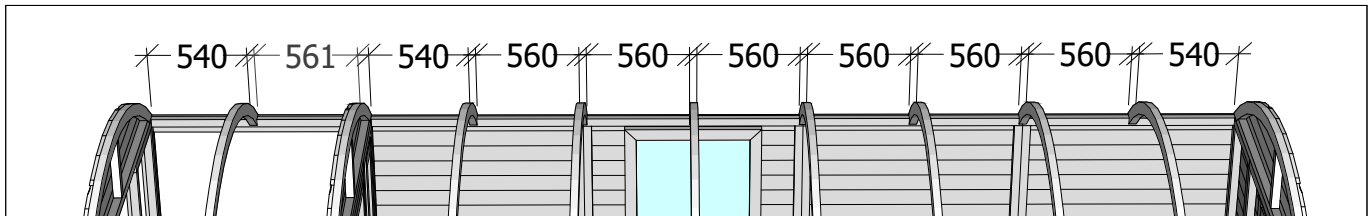
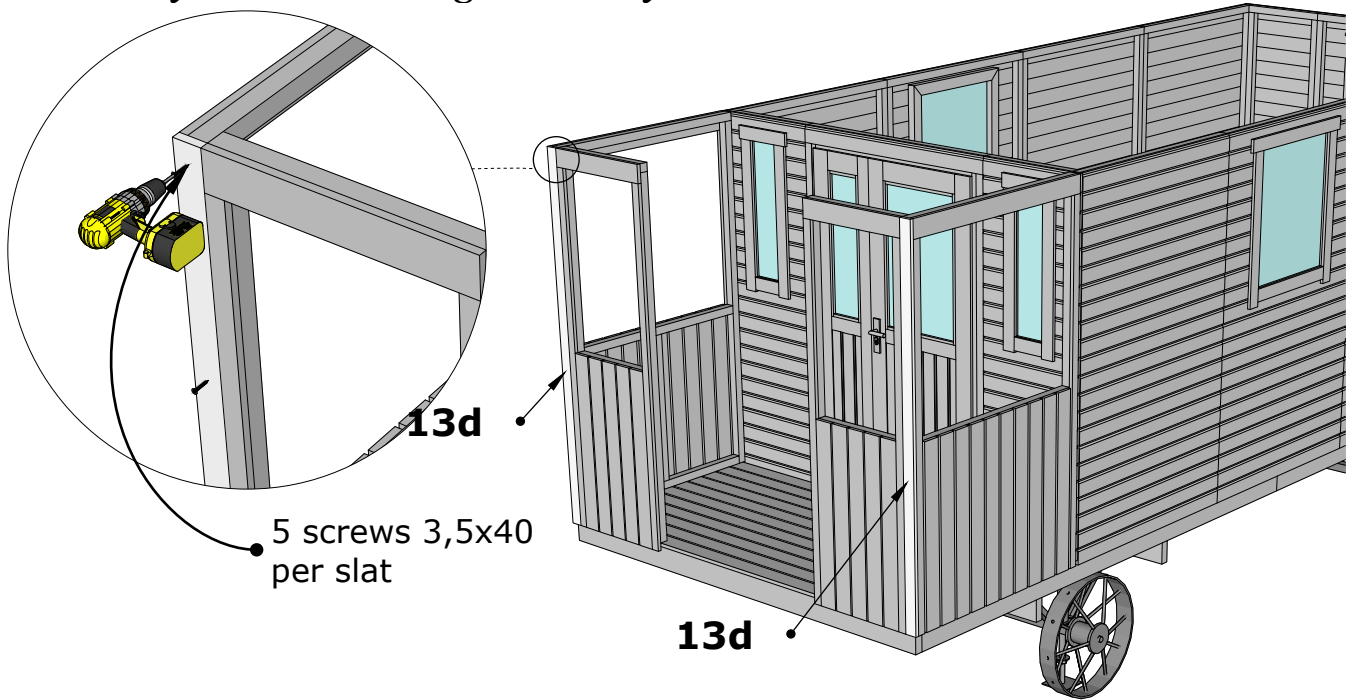


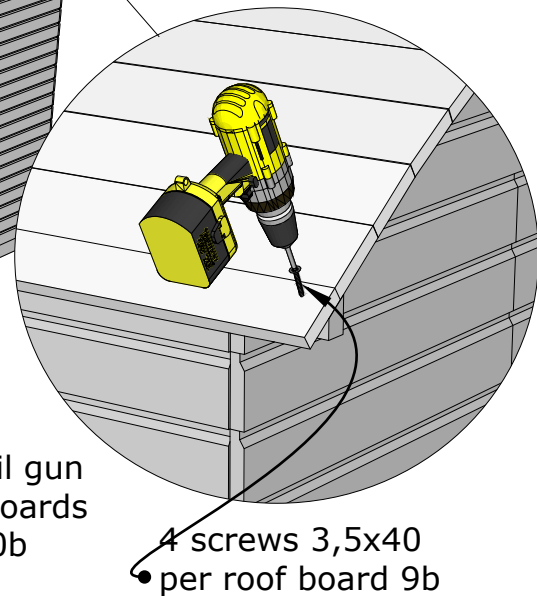
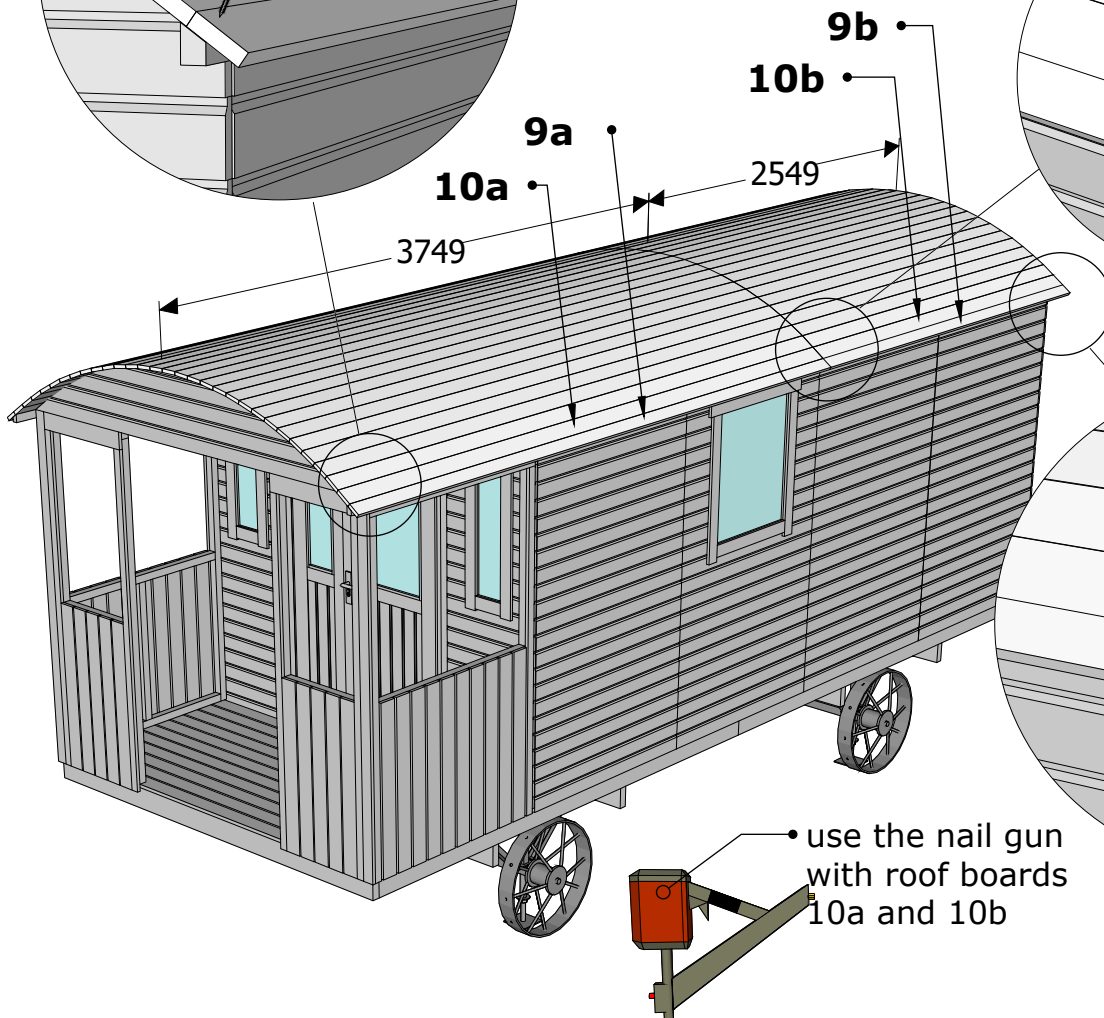
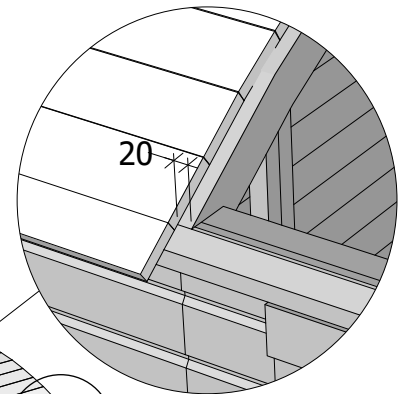
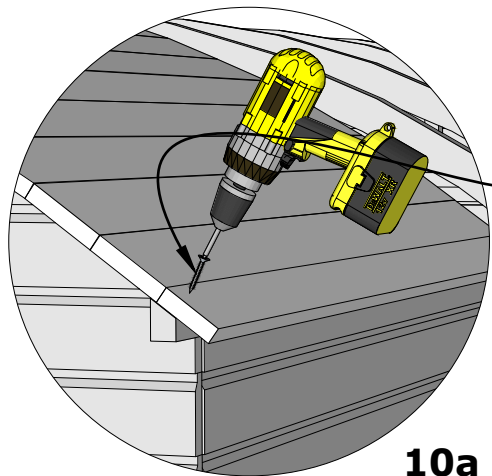
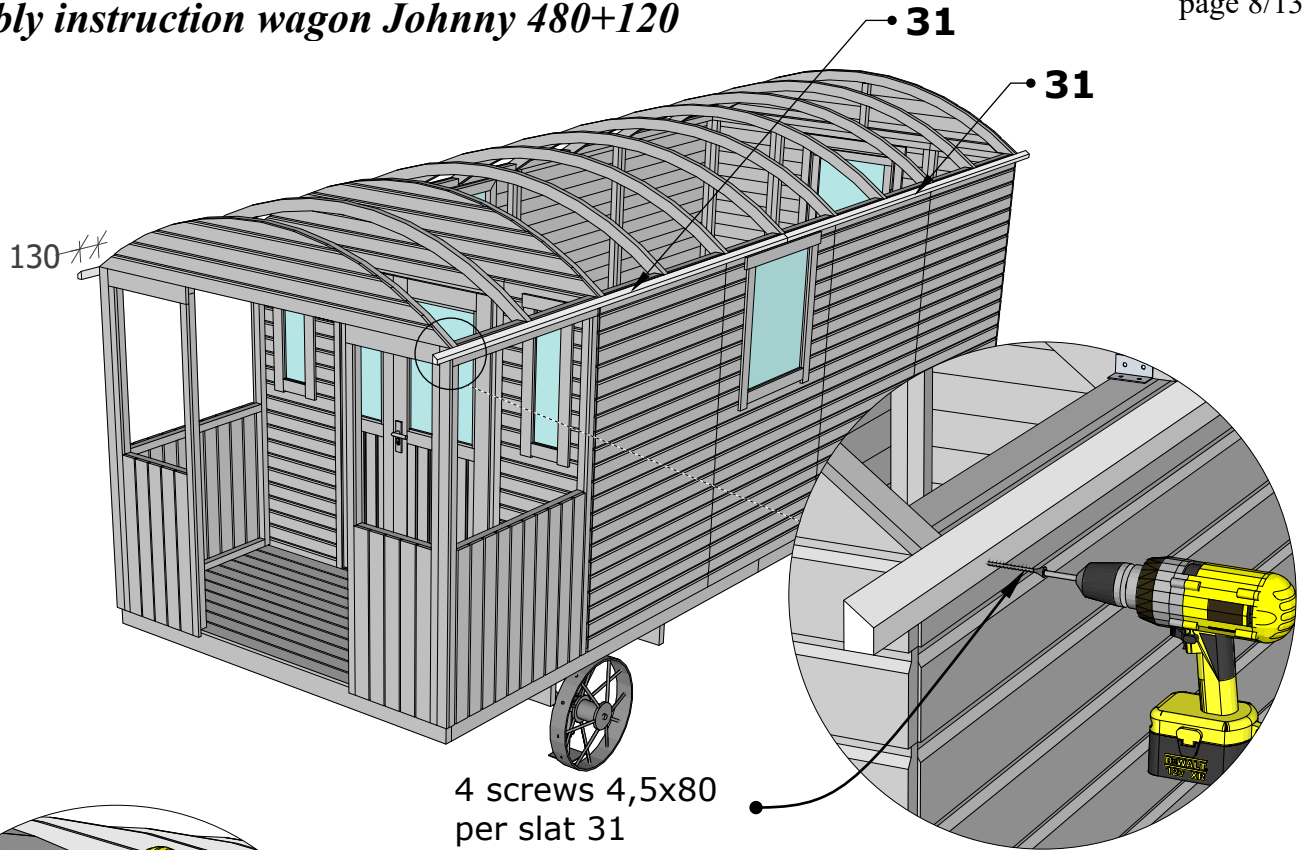
# Assembly instruction wagon Johnny 480+120

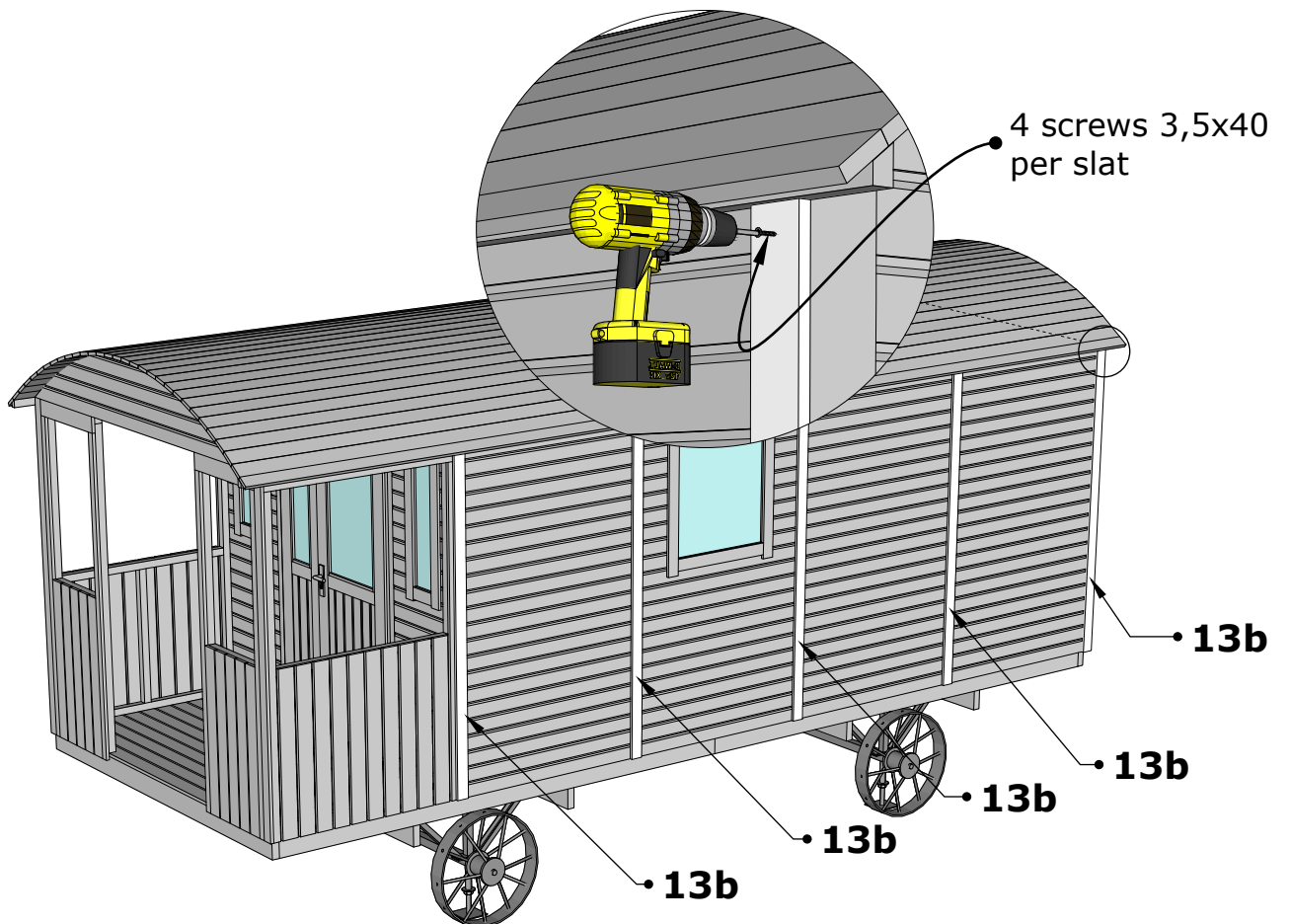
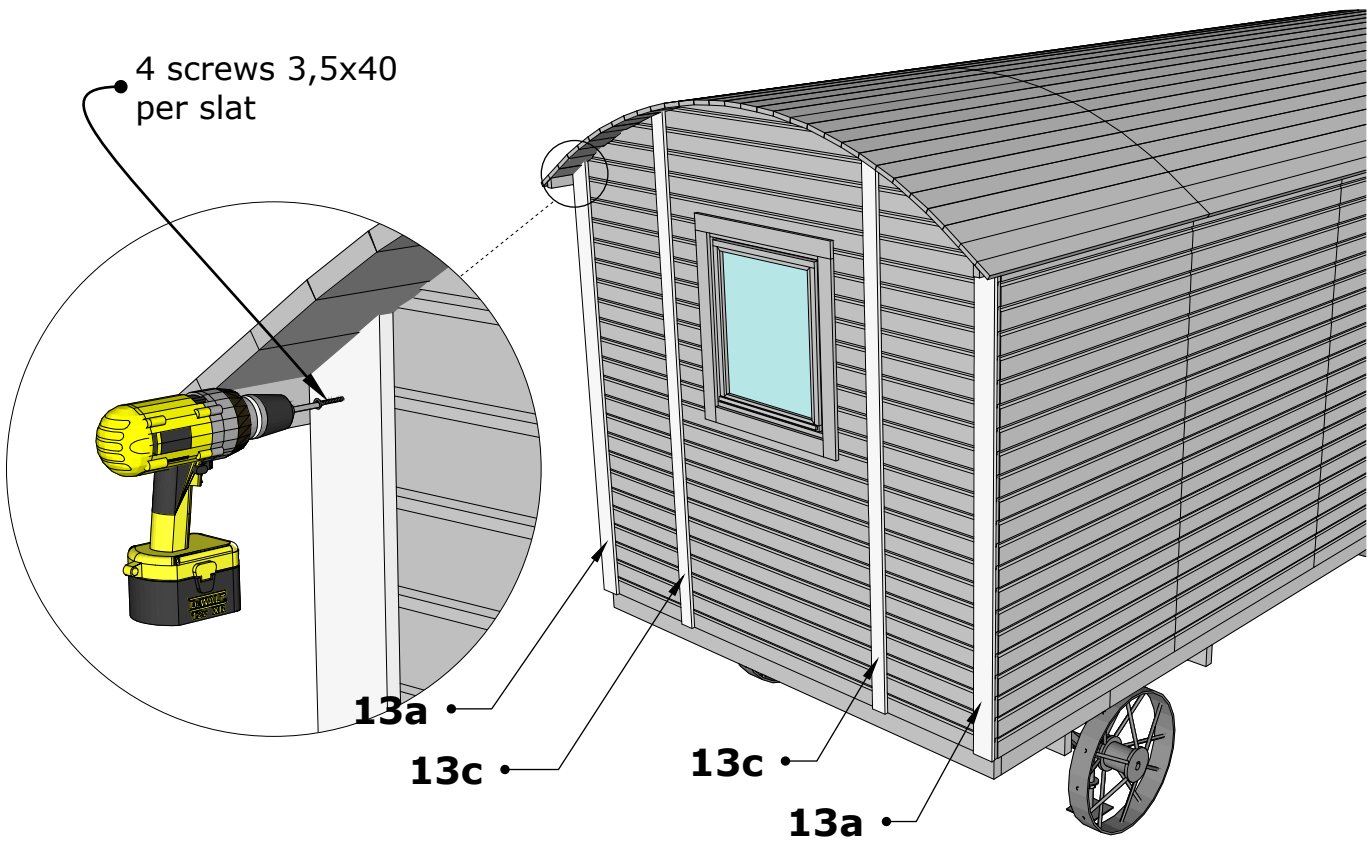


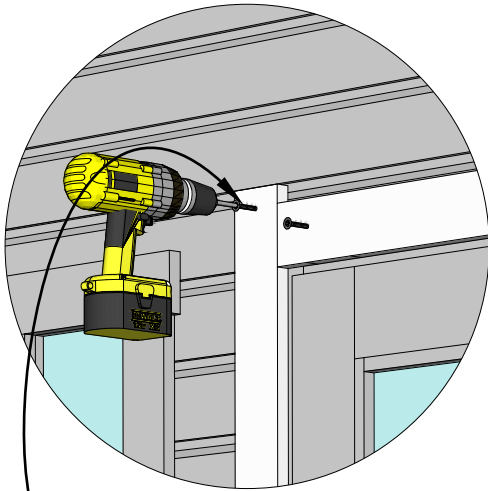
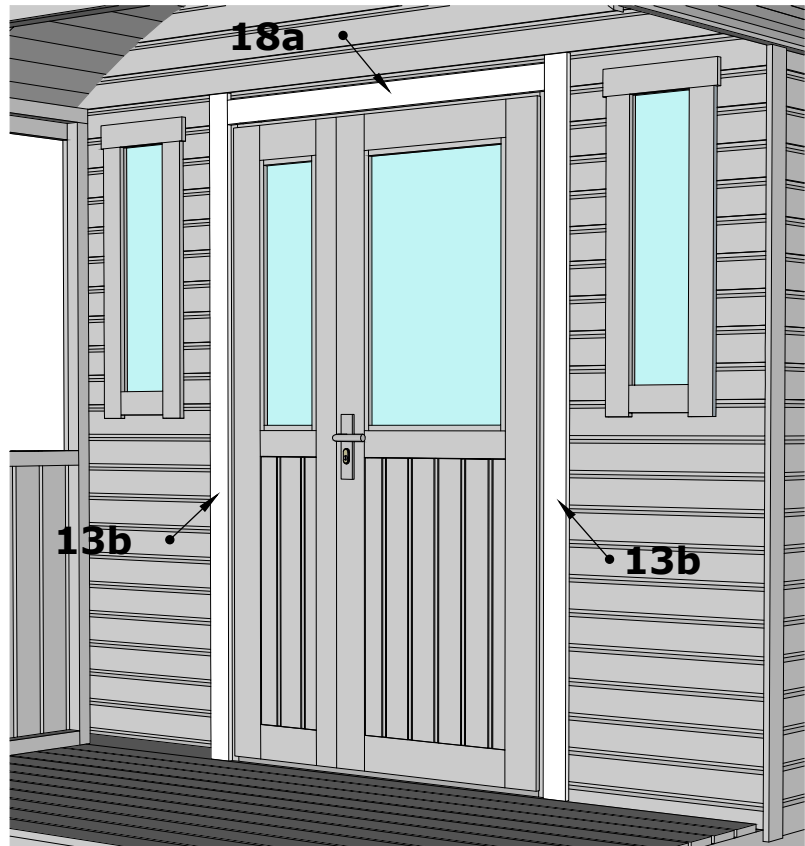




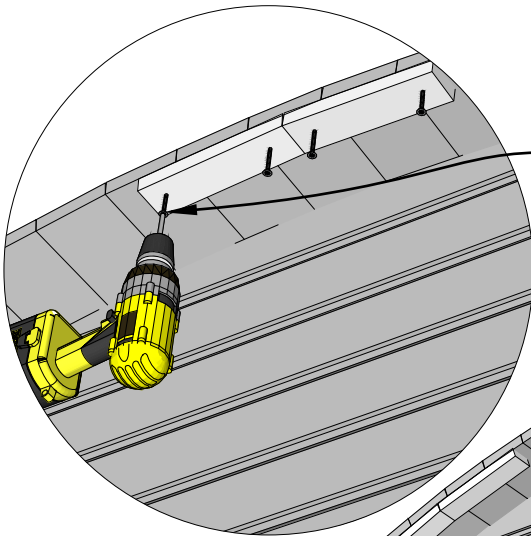




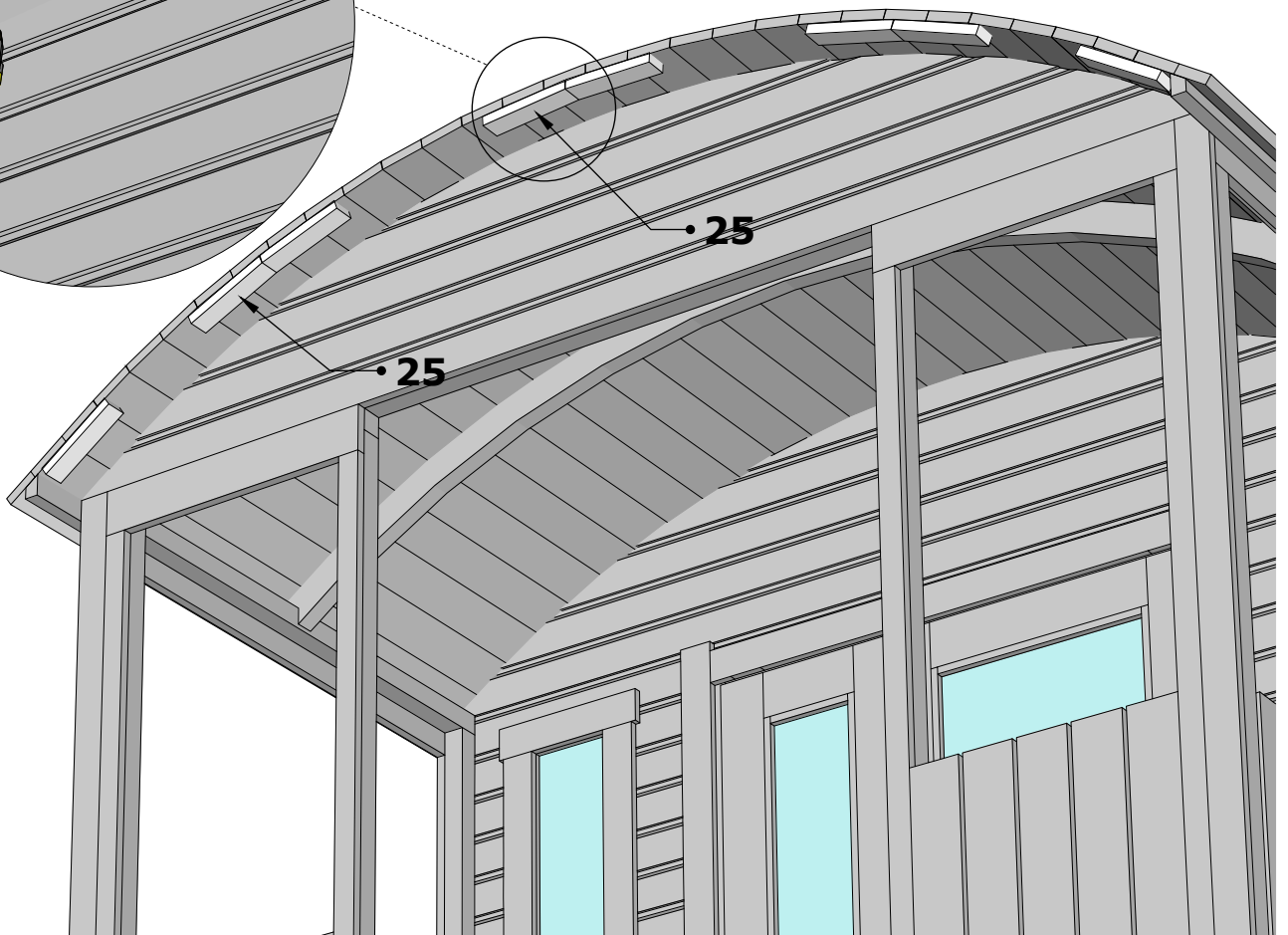


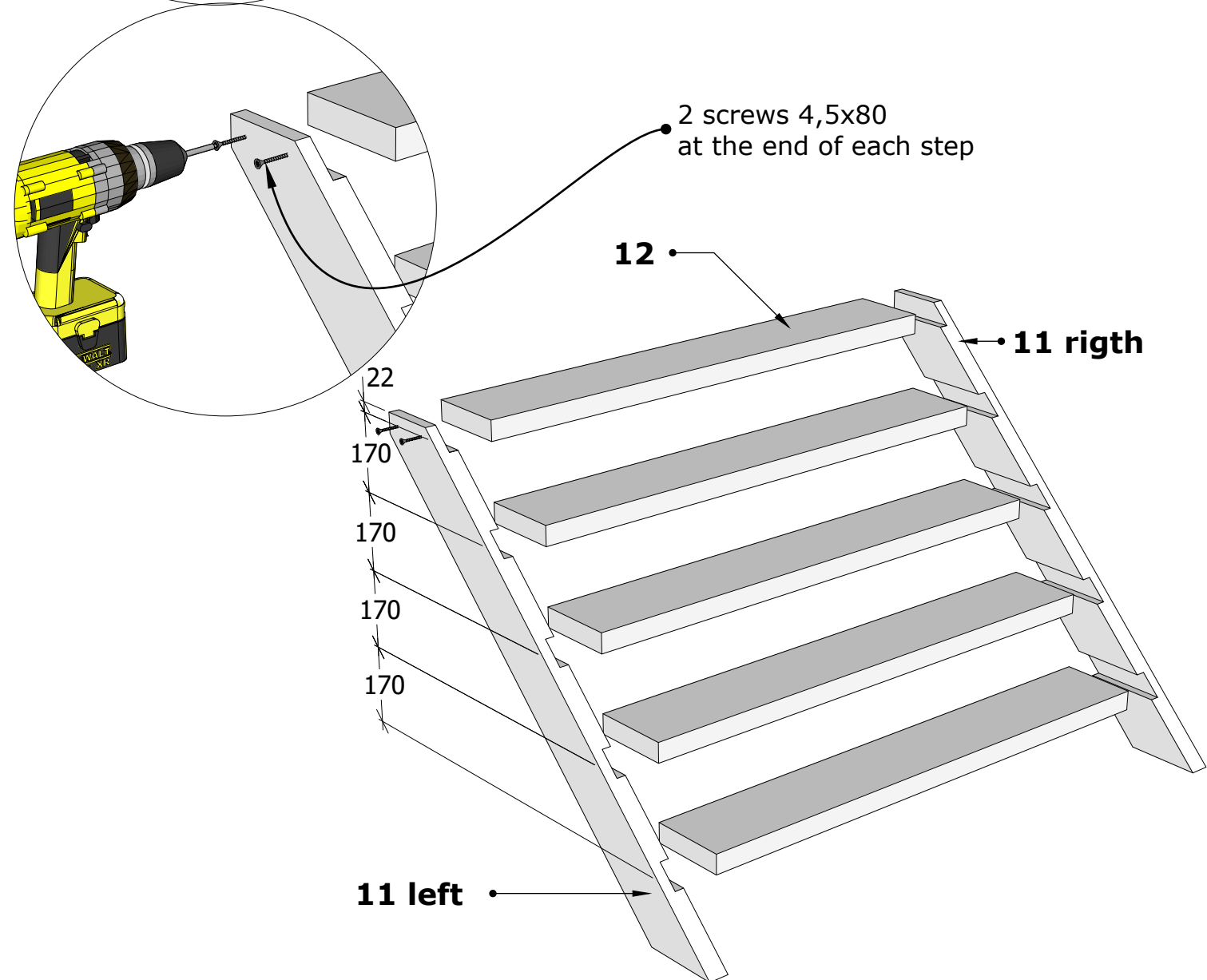
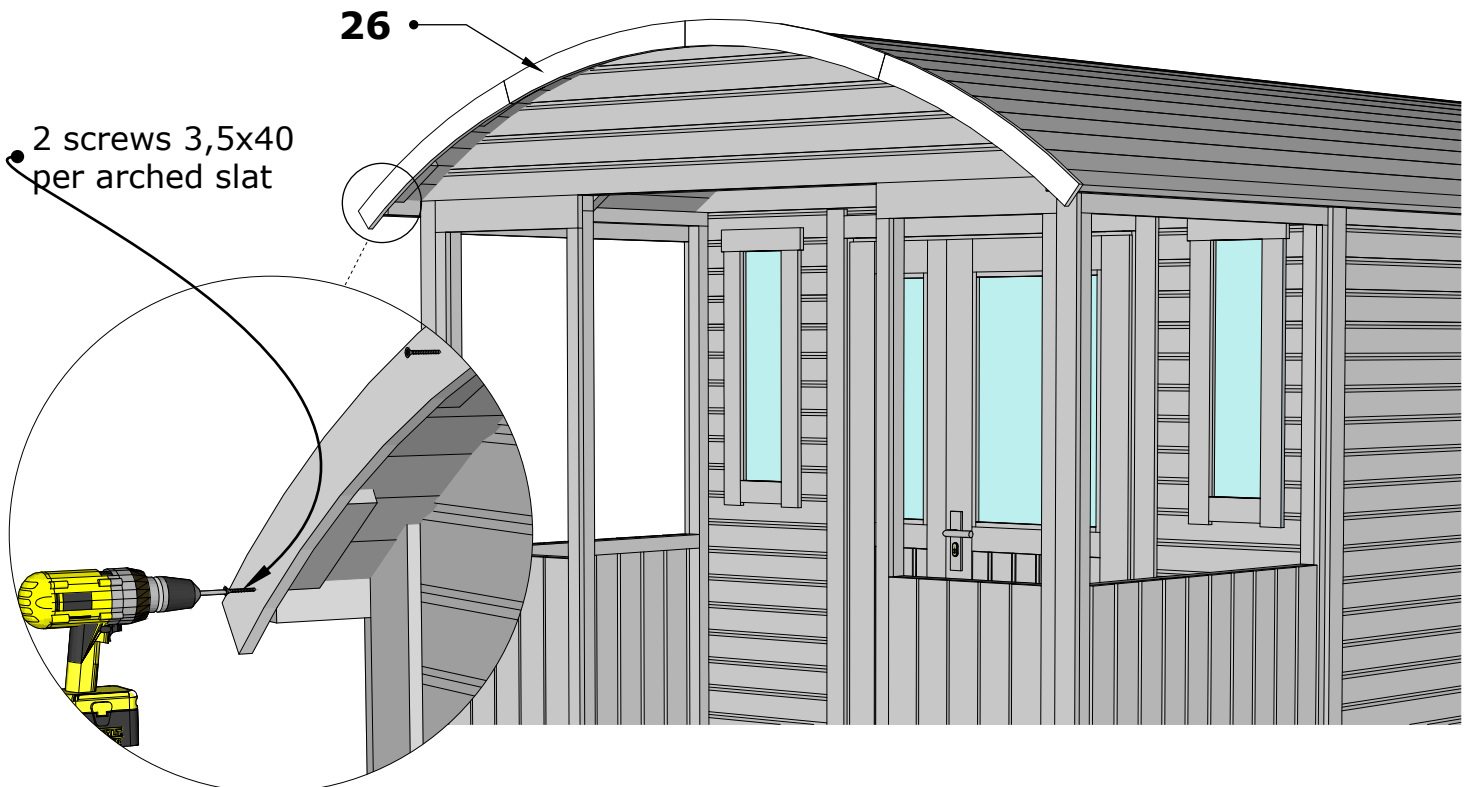


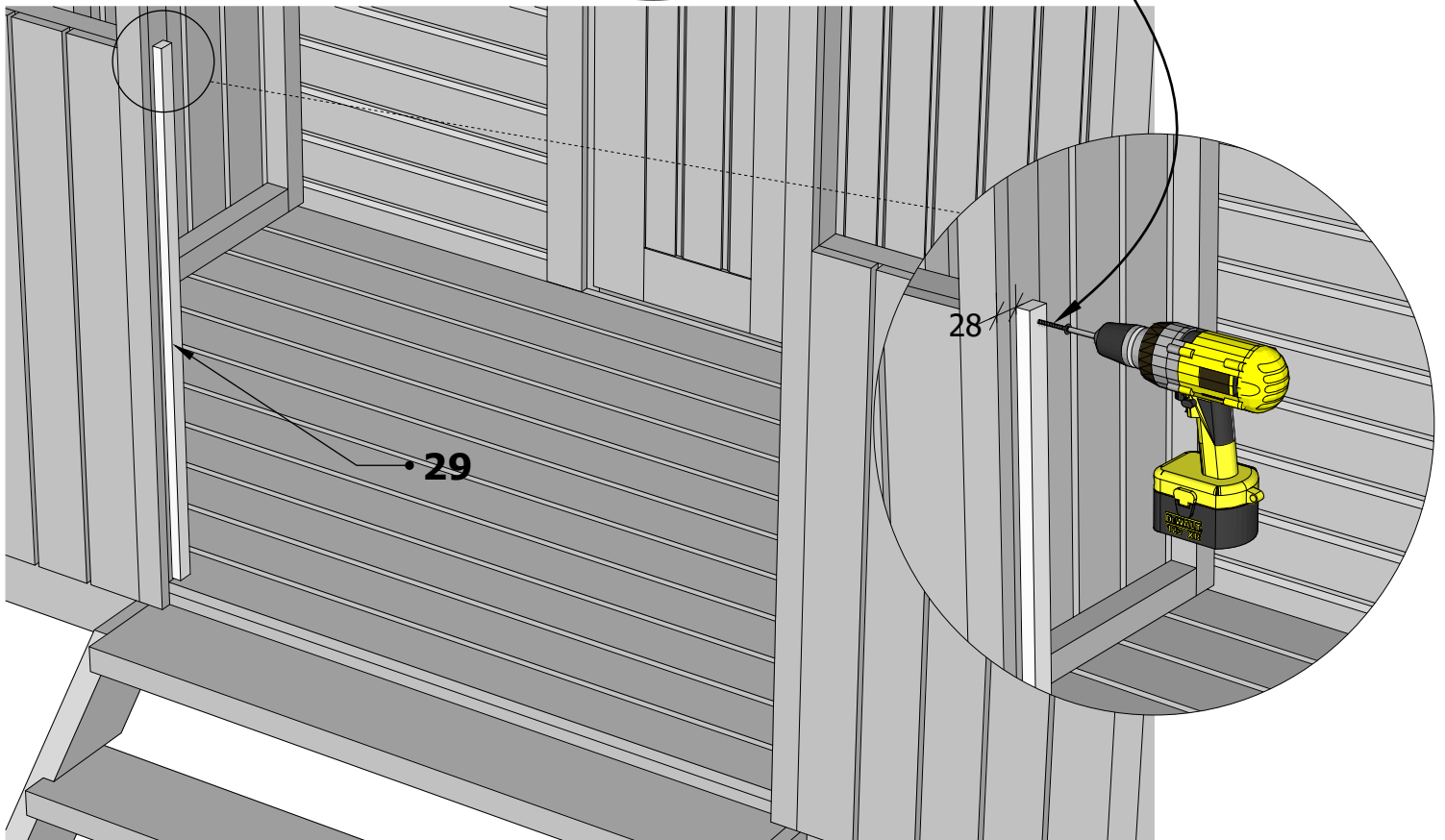
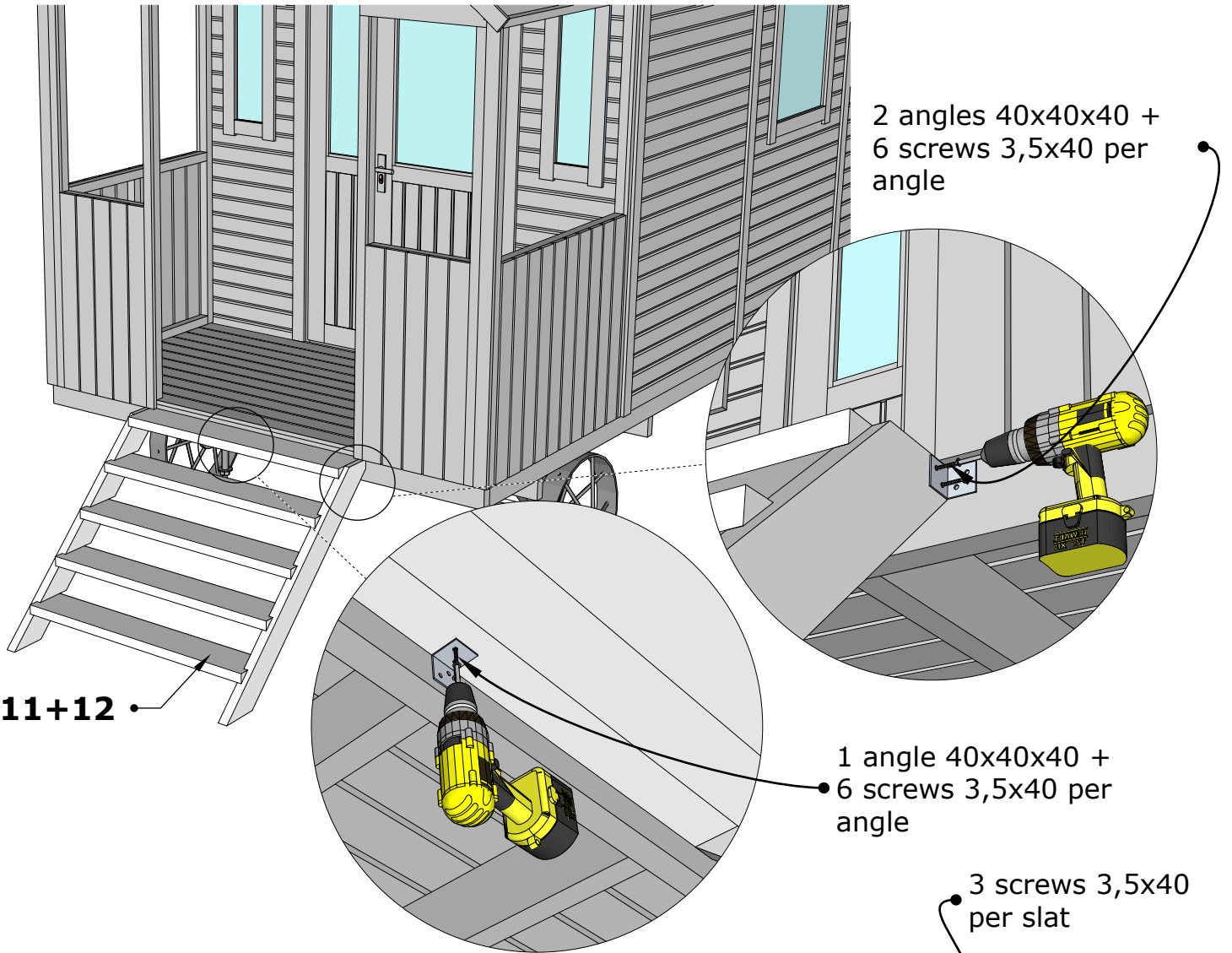
4 screws 3,5x40  
per slat

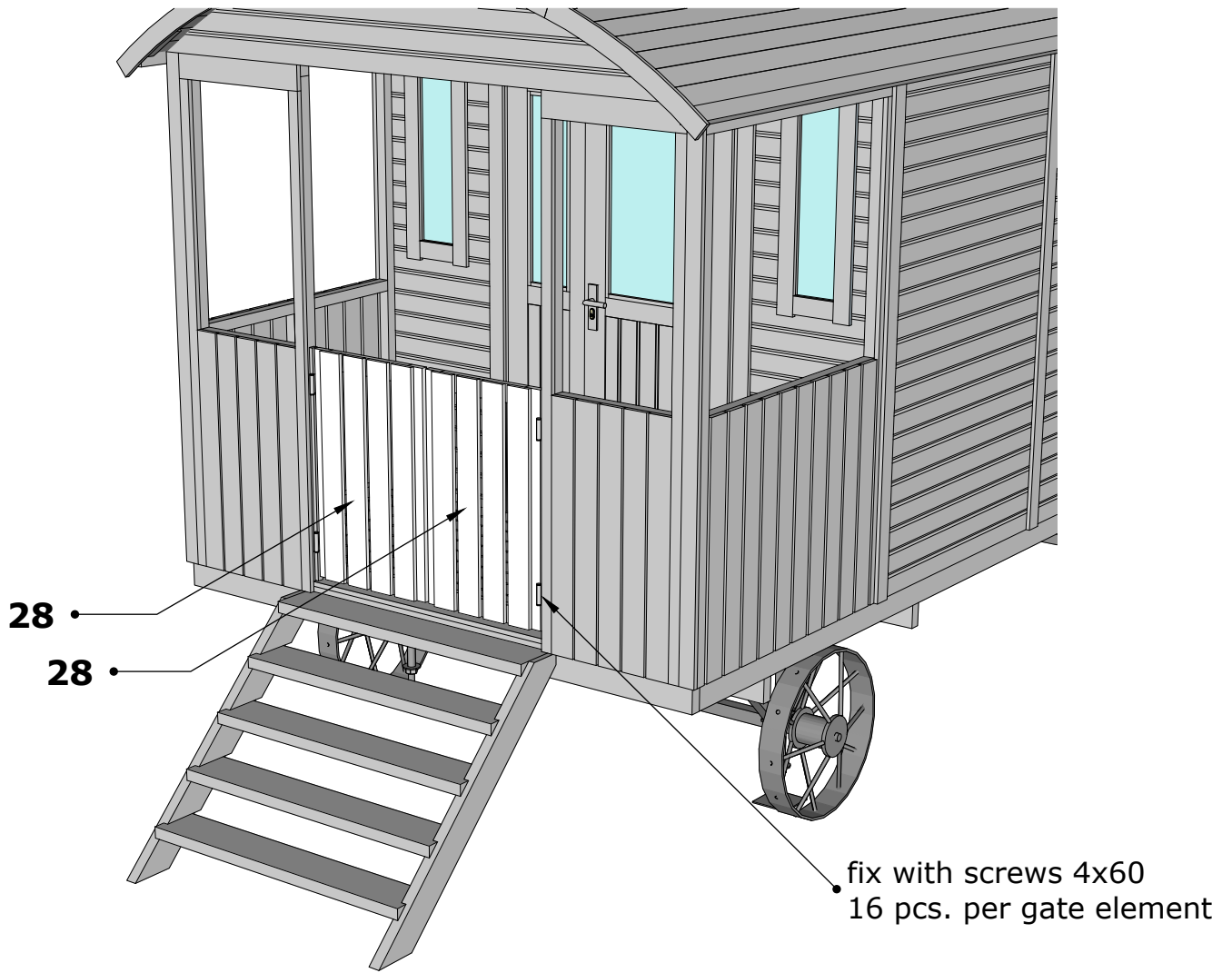


2 screws 3,5x3,5 per slat













		<b>Packing list</b>	<b>Page</b>
<b>PRODUCT:</b>		<b>Wagon 2,4 x 6,0 (veranda 1,2)</b>	<b>1/2</b>
<b>WIN-code:</b>			
<b>Article:</b>			

element nr.	element's name	quantity	dimension (mm.)	specify
<b>1</b>	bottom beam	6	44 x 120 x 2368	
<b>1a</b>	bottom beam	4	44 x 94 x 1000	
<b>2</b>	bottom beam	21	44 x 120 x 2956	
<b>3a</b>	floorboard	1	19 x 60 x 2368	first
<b>3b</b>	floorboard	52	19 x 90 x 2368	
<b>3c</b>	floorboard	1	19 x 60 x 2368	last
<b>3d</b>	floorboard veranda	11	19 x 94 x 2368	
<b>4a</b>	end wall, right	1	600 x 1980	
<b>4b</b>	end wall, left	1	600 x 1980	
<b>4c</b>	wall with open window	1	1200 x 1980	
<b>5a</b>	wall	6	1200 x 1980	
<b>5b</b>	wall with non-open window	2	1200 x 1980	
<b>6a</b>	front wall, right	1	600 x 1955	
<b>6b</b>	front wall, left	1	600 x 1955	
<b>6c</b>	front wall with installed door	1	1200 x 1955	
<b>7</b>	inner arch support	8	455 x 2406	
<b>8</b>	outer arch support, covered	3	2406 x 416	with panel
<b>9a</b>	roof board	1+1	19 x 70 x 3749	first/last
<b>9b</b>	roof board	1+1	19 x 70 x 2549	first/last
<b>10a</b>	roof board	29	19 x 90 x 3749	
<b>10b</b>	roof board	29	19 x 90 x 2549	
<b>11</b>	stairs side	1+1	44 x 120 x 1205	45° //
<b>12</b>	stairs tread	5	44 x 170 x 1152	
<b>13a</b>	end wall edge cover slat	2	16 x 94 x 2050	end 37°
<b>13b</b>	side edges cover slat	12	16 x 70 x 1936	
<b>13c</b>	end wall middle cover slat	2	16 x 70 x 2314	end 20°
<b>13d</b>	verandas wall cover slat	2	19 x 63 x 1980	
<b>18a</b>	verandas doorway's upper slat	1	16 x 70 x 1106	
<b>20</b>	porch element 1181	2	1181 x 1980	
<b>21</b>	porch element 540	2	590 x 1980	
<b>25</b>	roof edge arc fixing brick	16	19 x 40 x 180	
<b>26</b>	roof edge arc	8	L = 710 mm.	arc-element
<b>28</b>	porch gate element	2	516 x 880	
<b>29</b>	porch gate slat	2	16 x 25 x 900	
<b>31</b>	the upper feather key	4	28 x 44 x 3149	edge 37°
<b>32</b>	support metal	4	50 x 90 x 1000	

**Metal parts:**

<b>50</b>	wagon wheel	4
<b>51</b>	wagon wheels washer	4
<b>51a</b>	wheel`s splint	4
<b>52</b>	wagon axle	2
<b>53</b>	basement support	4
<b>54</b>	bolts and nuts for basement	4
<b>55</b>	adjustable support leg	4
<b>56</b>	adjustable leg`s nut M27	4
<b>57</b>	bolt M10, L = 70 mm.	28
<b>58</b>	bolt M10, L = 110 mm.	4
<b>59</b>	nut M10	32
<b>60</b>	washer M10	64
	fasteners set	
	assembly instruction	